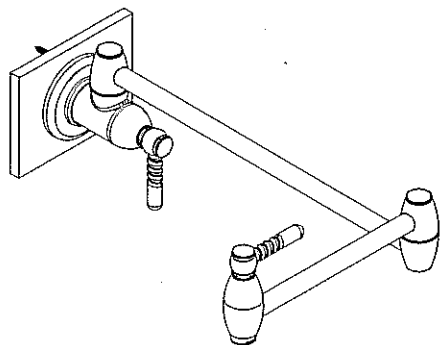


FUSION
HARDWARE GROUP INC

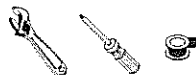
installation



Wall Mount Pot Filler

Tools:

- Adjustable Wrench
- Philips Screwdriver
- Pipe Tape



Maintenance

Your new faucet is designed for years of trouble-free performance. Keep it looking new by cleaning it periodically with a soft cloth. Avoid abrasive cleaners, steel wool and harsh chemicals as these will dull the finish and void your warranty.

Safety Tips

- If you use solder for the installation of the faucet, the seats cartridges and washers will have to be removed before using flame. Otherwise, warranty will be void on these parts.
- Protect your eyes with safety glasses when cutting or soldering water supply line.
- Cover your drain to avoid losing parts.

Important points

Prior to beginning installation, turn off the cold and hot water lines and open the old faucet to release build-up pressure. When installing your new faucet, turn the connector nuts finger-tight, then use one wrench to anchor the fitting and a second wrench to tighten the nut one additional turn. Connections that are too tight will reduce the integrity of the system. Wrap all threaded connections with Teflon tape available at your local hardware or plumbing supply store. Always wrap in a clockwise direction.

Things You May Need

All installations can vary depending on how your previous faucet was installed. Necessary supplies to install your faucet are not all included; however they are available wherever plumbing supplies are sold. When choosing your installation supplies, make sure they are IAPMO and/or CSA approved products.

NOTE: The fittings should be installed by a licensed plumber of the state.

Need Help?

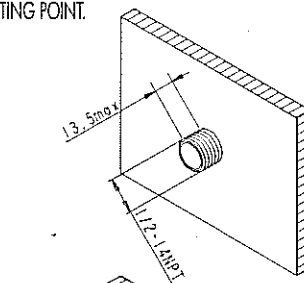
Please call our Customer Support 877-215-4683
(678-990-1676)

What you need to know

Preparation/Assembly

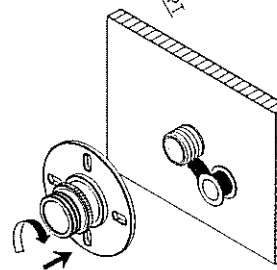
Shut off main water supply before installation.

NOTE: INSTALL 1" x 4" WOOD BLOCKING BOARD FLUSH TO FRONT OF STUD FACE CENTERED AT FAUCET MOUNTING POINT.

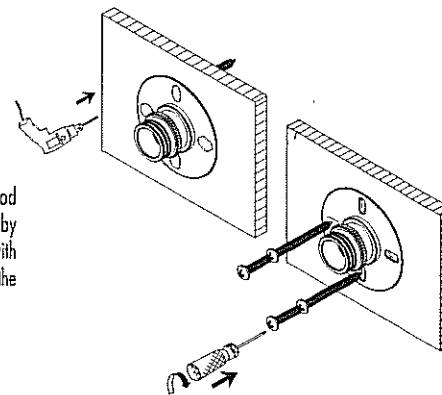


1 Run 1/2" IPS/NPT threaded stub out pipe through center of blocking board; length of stub out to allow 1/2" to extend beyond the FINISHED WALL SURFACE.

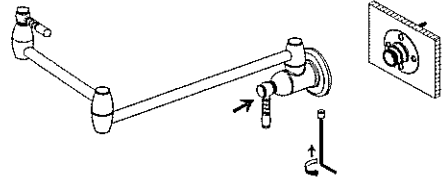
2 After the wall is finished, install the mounting bracket. Apply pipe tape to the threads of stub out pipe. Screw on the wall mount bracket clockwise.



3 Before attach the screws provided to the wood blocking, drill four holes into wall materials by passing through the slots of bracket. Attach with minimum 1 3/4" long screws the bracket through the wall surface into the wood blocking.



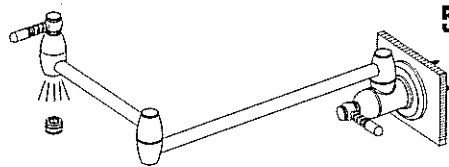
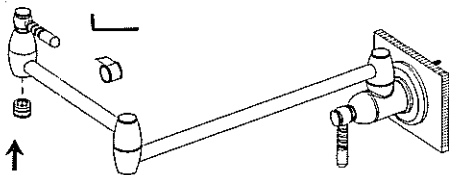
Installation



4 A. Position the wall flange onto the shank of the wall valve body. (the flange will not pass over the set screw if it projects out).

B. After sliding on the flange, unscrew the set screw so that the point inside is flush with the body wall. (You can not install the body onto the bracket if the set screw is in the way).

C. Press the valve body onto the bracket; take care that the swing arm is level. Install the faucet by tightening the set screw at the bottom of body clockwise with allen wrench supplied, then slide flange to the wall.



5 After installation, remove aerator and turn on water to remove any left over debris. Re-assemble aerator. This faucet is equipped with two valves, the wall valve should be closed (handle in vertical position) when faucet is not in use.

Trouble-Shooting

If you've followed the instructions carefully and your faucet still does not work properly, take these corrective steps.

PROBLEM: Leaks underneath handle.

CAUSE: Adjusting ring or cap has come loose. O-ring is dirty or damaged.

ACTION: Tighten the adjusting ring or cap. Clean or replace o-ring.

PROBLEM: Aerator leaks or has an inconsistent water flow pattern.

CAUSE: Aerator is dirty or misfitted.

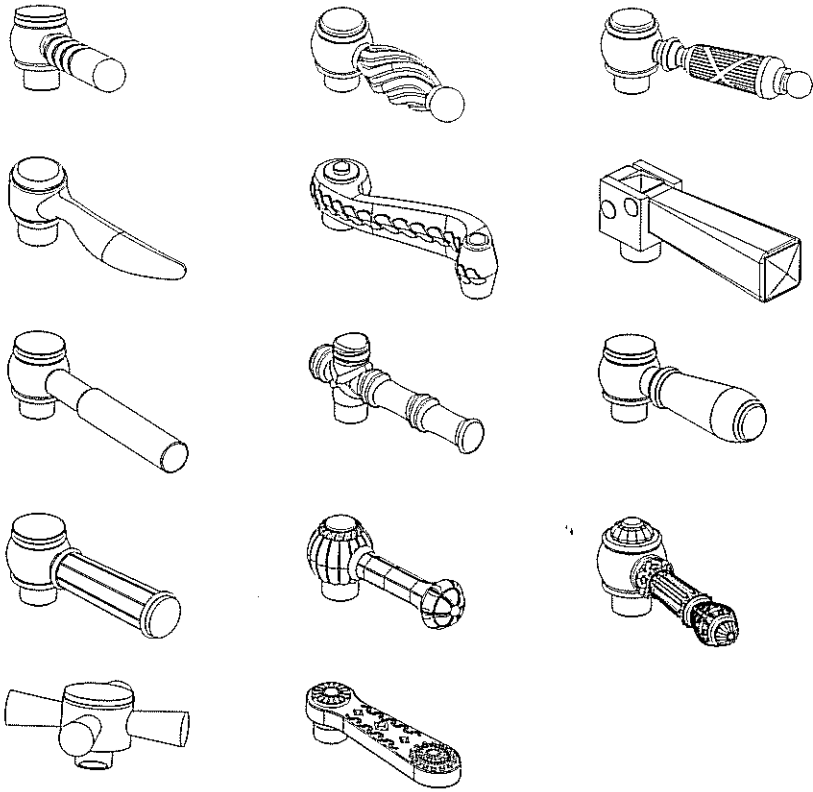
ACTION: Unscrew the aerator to check rubber packing or replace the aerator.

PROBLEM: Water will not shut off completely.

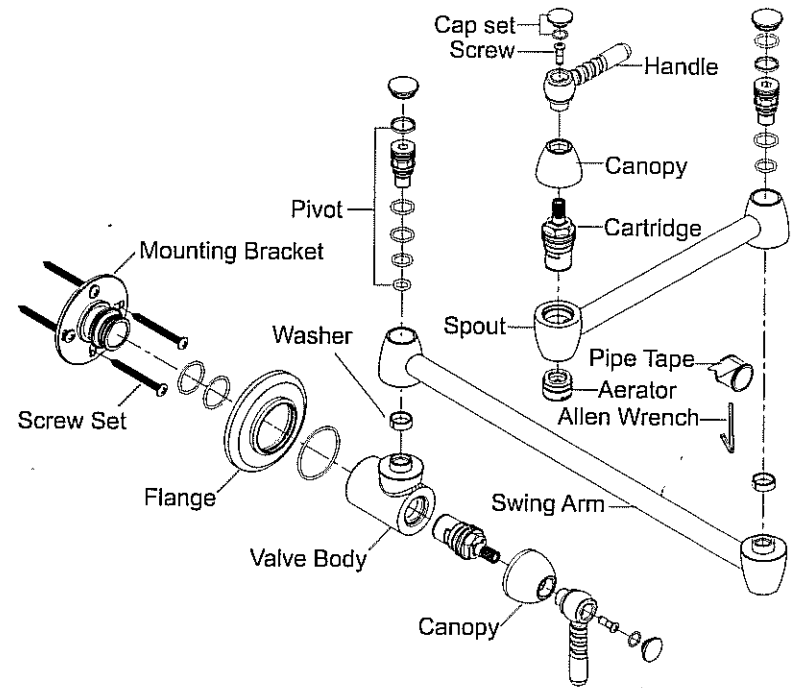
CAUSE: Dirty or worn out plastic washer in the cartridge.

ACTION: Remove handle and cartridge to check if ceramic disk damage permanently or dirty. Re-install cartridge.

Installation



Installation



NOTE: INSTALL NOMINAL 1" x 4" WOOD BLOCKING BOARD FLUSH TO FRONT OF STUD FACE CENTERED AT FAUCET MOUNTING POINT.

